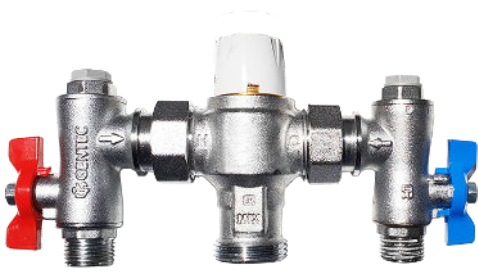


FLOMIX - Thermostatic Mixing Valve

MV6015

NSW Health Approved Thermostatic Mixing Valve with Strainers, Isolation and Non Return Valves



Product Features



- NSW Health approved
- Hygiene flush capable
- Can support up to 6 connections (depending on flow rate)
- High performing / high flow rates - 54lpm at 500kpa
- Easy, low cost maintenance requirements
- Removable strainers and isolation points in the hot and cold sections allow for easy maintenance
- Recommended for any project

Technical Information



Materials	DZR Brass
Cartridge	Mechanical / Wax Element
Cartridge Size	N/A
Inlet	15mm Male (G 1/2" BSP)
Outlet	20mm Male (G 3/4" BSP) - 15mm Male (G 1/2" BSP) Adaptor provided
Working Pressures	50kPa-500kPa
Recommended Working Pressures	350kPa
Minimum Outlet Flow Rate	4lpm
Finish / Colour	Chrome Plated
Warranty	5 years*
Mixed Outlet Temperature	35°C - 50°C
Hot Inlet Temperature	Min 55°C - Max 80°C
Cold Inlet Temperature: Min	5°C - Max 30°C
Max Differential Inlet Pressure	10:1 Ratio

Product Certifications



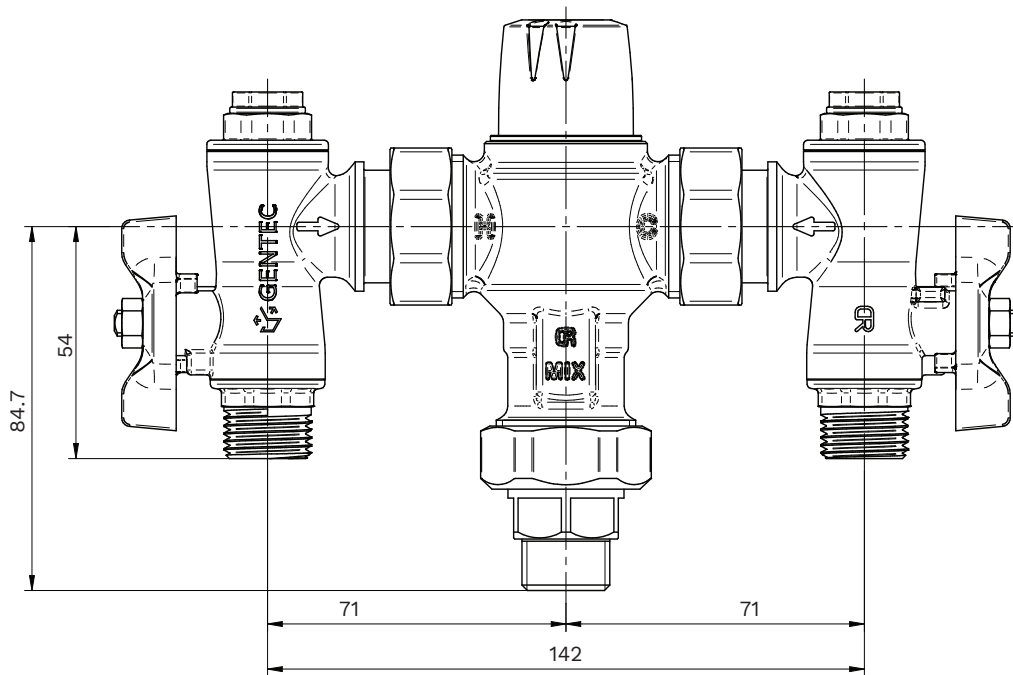
WaterMark
AS 4032.1-2005
Licence No. WM 74512
ApprovalMark



Unit 6, 20 - 28 Ricketty St, Mascot, NSW 2020 P: +612 9319 4422 F: +612 8088 7635 E: info@gentecaustralia.com.au

Note: The information provided is only a guide, actual product may differ. The information here should not be relied on without clarification with Gentec. Gentec reserves the right to make design changes at any time without notification.

*Subject to terms and conditions, available at www.gentecaustralia.com.au/page/terms_and_conditions



All measurements are in millimetres and should be used as a guide only



Unit 6, 20 - 28 Ricketty St, Mascot, NSW 2020 P: +612 9319 4422 F: +612 8088 7635 E: info@gentecaustralia.com.au

Note: The information provided is only a guide, actual product may differ. The information here should not be relied on without clarification with Gentec. Gentec reserves the right to make design changes at any time without notification.

*Subject to terms and conditions, available at www.gentecaustralia.com.au/page/terms_and_conditions